



Ready for all the treatments you can think of,  
in the most impossible spaces

## Extremely versatile



Orbitizer is a professional floor cleaning machine that can reach any corner, in any environment, and perform a number of treatments on all types of floors.

It is suitable for short and localized interventions when the space does not allow to proceed with a model of normal size.

It is an essential machine for CLEANING CONTRACTORS, being a cross-cutting solution that fits in all sectors, bringing the effectiveness of mechanized cleaning to the most difficult areas.

It is powered by a 36V lithium battery, which allows you to change environment without depending on a power outlet.

It cleans and treats floors with its orbital movement that ensures extraordinary results with very little water, and a uniform effect on the entire surface, right down to corners and edges. In addition to cleaning, when combined with the proper pad, it can perform several more treatments.

# It can perform any treatment, on any floor

Orbitizer works with an orbital movement that guarantees effective results in different tasks, not just in cleaning.

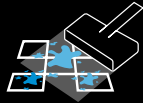
It is suitable for treating any type of hard flooring, wooden, linoleum, PVC and carpet.

It can carry out the same intensive treatment as a traditional machine, reaching spaces where a normal sized model cannot get to.

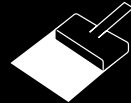
According to the type of pad used it can perform floor treatments that include:



MAINTENANCE CLEANING



HEAVY-DUTY CLEANING



RESTORATION



WAX REMOVAL



POLISHING



## Discover the power of the orbital movement

### ORBITAL TECHNOLOGY: DEEP, FAST, AND PROFESSIONAL CLEANING

The cleaning result is uniform over the entire surface since all the points of the pad are constantly in contact with the floor and can pass several times on the same area.

The efficacy of the mechanical action, combined with the use of abrasive pads, minimizes the use of detergents, in particular the most aggressive ones rich in VOC (volatile components).

**ORBITAL  
TECHNOLOGY**

**CLEANING HEAD**  
with rotating micro-movements

**3800**  
Oscillations/Minute



It's the lowest machine in its category,  
a great power just 11 cm high!



### TEST ITS VERSATILITY

The rectangular shape of the base and the height of only 11 cm enable to clean right up to the edges, to pass through the narrowest passages and get under chairs and furnishings.

50% lower than other products in the same segment

$\frac{3}{4}$  lower than standard models

## Suitable for any environment, perfect for public transport

Orbitizer is suitable for any sector, or rather, wherever there is a space that cannot be cleaned by a traditional machine. It provides excellent performance on means of transport, since it easily reaches the tightest spaces.

In addition to the low base, the joint gives an extraordinary flexibility that makes smooth and easy all the necessary manoeuvres to pass under seats, get to all corners, and clean the entire floor without leaving out any space.



### INDUSTRIES



CLEANING  
CONTRACTORS



WAITING ROOMS



TRAINS



METRO



AIRPLANES



BUSES



RESTROOMS



OFFICES



BUILDING  
STAIRS



PROFESSIONAL  
KITCHENS

# A real solution to reduce cleaning costs

## BENEFITS



### VERSATILITY

Suitable for different types of surfaces:  
tiled, marble, linoleum, wood and carpet floors



### POWER

Suitable for removing all types of dirt,  
from the lightest to the most stubborn one



### DRYING

The area of intervention is quickly available again



### AGILITY

It can clean inaccessible areas, even reaching into corners and  
under shelves, furniture, sinks, toilette, tables and chairs



### AREA COVERAGE

Increased percentage of cleaned area



### APPLICATIONS

It can perform different cleaning jobs such as:  
maintenance, double scrubbing, stripping, crystallization,  
polishing, grinding, sanding, encapsulation



### ROI

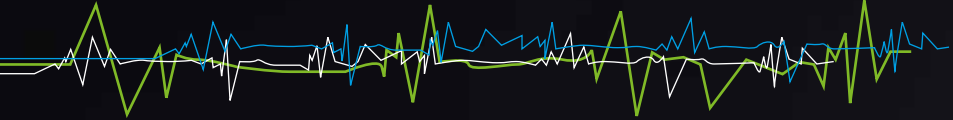
Quick return on investment



### ENVIRONMENT

Reduced consumption of water, detergent and energy

# Always charged and ready to follow you anywhere



Thanks to the lithium battery, you can charge up the machine whenever you want, so it's always ready when you need it. And, compared with a traditional battery, it lasts longer and provides maximum power when you need it. The lithium battery delivers the right power for each application and has excellent endurance

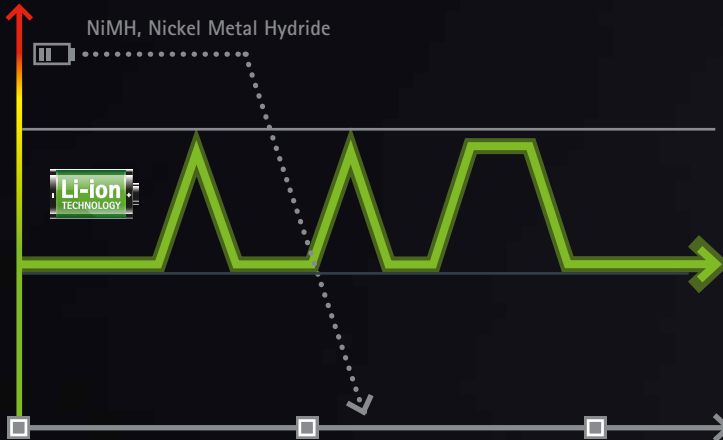
36V / 5,2 Ah  
**CHARGING TIME**



- 80% in 1 hour
- 100% in 3 hours



ENERGY CONSUMPTION



**MAXIMUM POWER** for dirty floors  
If the dirt is stubborn and difficult to remove, the machine delivers more power

**MAXIMUM ENDURANCE** for light maintenance cleaning  
When the dirt is lighter, power returns to normal levels, thus the battery lasts longer

ENDURANCE (over time)



**MAXIMUM POWER**  
Increased power only when needed



**ALWAYS READY TO USE**  
No self-discharge, the battery is always ready when you need it. No memory effect, you can recharge the battery whenever you want



**MAXIMUM ENDURANCE**  
Under normal dirt conditions, the power remains constant, increasing battery endurance



**LOW RUNNING AND MAINTENANCE COSTS**  
High discharge/charge cycle lifespan





Watch the video

## Experience connectivity



FIMAP FLEET MANAGEMENT



Discover the FFM universe and experience the advantages of being constantly connected, with My.Machine app!

My.Machine app updates you in real time providing all the essential information to help you keep high the fleet performance. You can see from your smartphone or tablet if the machines are following the expected cleaning schedule.

You can keep track of the activity carried out with Orbitizer and know at any time where it is, the duration of the interventions, if any anomaly has occurred and access the list of servicing performed.

Keep tabs on your machines remotely when you want and from wherever you want!



GEOLOCATION

It shows the machine position



USE INFORMATION

It shows the operating time



ALARMS

It provides the list of the anomalies found



MAINTENANCE

It shows the list of the servicing performed

## A close-up view of Orbitizer

Hook for crossbody strap



ON/OFF

ON/OFF  
Chemical solution

Ergonomic handle

Extra handle

1 litre tank

2 front nozzles to  
spray the liquid

**SAVING  
RESOURCES**  
The detergent  
solution is sprayed  
according to actual  
treatment needs



Battery level

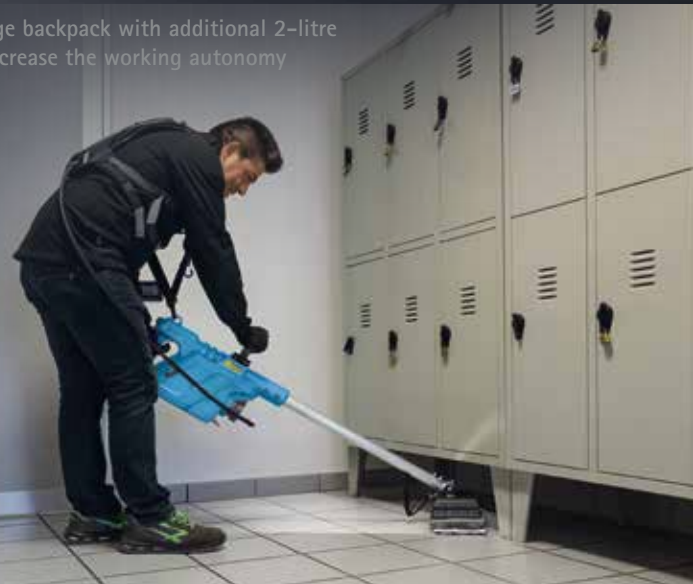
36 V Lithium battery

Battery charger

With the provided crossbody strap the weight of Orbitizer is evenly distributed to avoid operator fatigue.

The extra handle improves the manoeuvre precision, it is useful to reach particularly narrow places and helps to increase the pressure on the base.

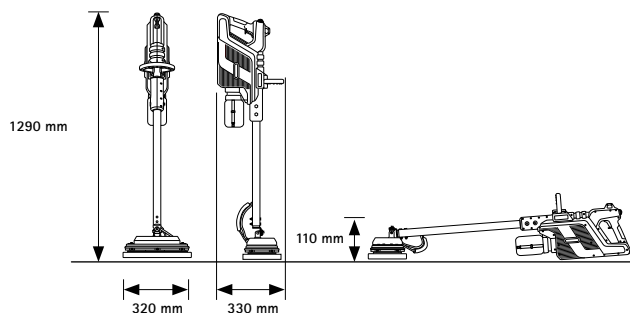
Long Range backpack with additional 2-litre tank to increase the working autonomy



# APPLICATION, SIZE AND TECHNICAL DATA



PAD	Microfibre	Abrasive	Diamond	DSWC	Melamine
Floor treatment	Maintenance cleaning	Maintenance and deep cleaning, polishing	Micro polishing, restoration	Wax removal, grinding	Heavy duty cleaning (very dirty floors)
Floor type	Ceramic, carpet, PVC, wood, natural stone, stoneware, concrete, terracotta, resin, floating floors	Ceramic, PVC, natural stone, stoneware, concrete, terracotta, resin, floating floors	Marble and derivatives	PVC, wood	Hard floors, microporous, ceramic, stoneware, concrete



TECHNICAL DATA		ORBITIZER
Productivity theoretical	up to sq.m/h	500
Estimated coverage	up to sq.m/h	300
<b>ORBITAL SYSTEM</b>		
Working width	mm	340
Motor	(n.) W	(1) 300
Oscillations	rpm	3800
Pressure on the orbital head	kg	7
<b>TANK</b>		
Solution tank	l	1
<b>BATTERY</b>		
Power supply	V	36
Type of battery		LI-ION
Battery	(n.) V/Ah C5	(1) 36/5,2
Run-time	up to h	2
<b>SPECIFICATIONS</b>		
Machine dimension (L x h x w)	mm	330x1290x320
Machine weight empty without batteries	kg	10
GVW (Gross Vehicle Weight)	kg	12
Sound level (ISO 11201)	dB (A)	<70

# SERVICES

## CONSULTING AND PLANNING



We put our experience at your service, to help you realize the cleaning project perfect you. We suggest you the best solutions to make costs decrease and service quality increase.

## SETUP



We can help you set up your machines in order to make them meet specifically the requirements of the sites of your project, allowing you to always have control over costs and results.

## AUTHORIZED WORKSHOP NETWORK



Fimap Authorized Workshop network spans the globe, so you can enjoy the peace of mind of finding a professional support wherever your business is.

## CONFIGURATION



Your business is unique, only a customized fleet can lead you to better results. We will help you find the configurations that best fit the specific requirements of your cleaning sites, in order to optimize processes and lower costs.

## TRAINING COURSES



Fimap Academy offers courses for all levels, from the correct use of machines and technologies, up to the management of sites and tenders, helping you to make your service really competitive.

## MAINTENANCE AND REPAIR



For your business to run smoothly it is essential that your machines are kept always operational. Our technicians take care of monitoring the machines health status and know how to intervene quickly and effectively when needed.

## FINANCIAL SOLUTIONS



You can choose to use the fleet in different ways. We can advise you on the best financial solution for your business, so that you can get the quality of the Fimap world at the most convenient conditions for you.

## DIGITAL FLEET MANAGEMENT SYSTEM



With Fimap Fleet Management everything is under your control. You can have a complete overview of the service provided and find out the improvements that can be made, basing your considerations on real data, always available via the MyMachine app or FFM website.

## GENUINE SPARE PARTS



Get the most out of your machines, choose the reliability of Fimap original spare parts. They are designed together with the machines, so they perfectly fit them thus guaranteeing the highest quality of performance.

## CERTIFICATIONS



For any additional information or for a demo please contact your usual Fimap dealer

**FIMAP®**  
www.fimap.com

FIMAP spa - Via Invalidi del Lavoro, 1 - 37059 S. Maria di Zevio - Verona - Italy  
Tel. +39 045 6060411 - Fax +39 045 6060417 - E-mail: fimap@fimap.com

