

ESPRAY
ELECTROSTATIC

PROFESSIONAL SPRAY GUN



Electrostatic hygienization technology

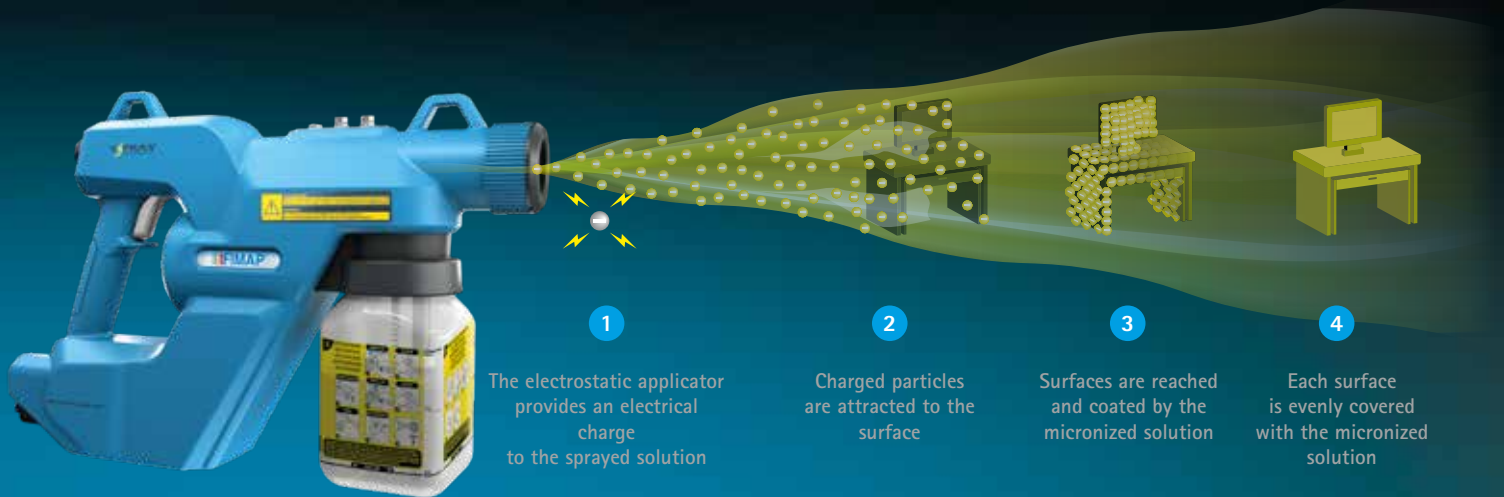
 **FIMAP**[®]

Ideal for distributing sanitizing solutions

E-Spray Electrostatic is a professional gun sprayer that uses the principle of electrostatic induction to distribute disinfectant solutions effectively and uniformly on surfaces.

E-Spray Electrostatic is lightweight and very comfortable, powered by a lithium battery that allows you to carry out hygienization for several hours, freely and anywhere, without being tied down by a cable.

The solution is sprayed in very small and light drops, which reach every point of the area to be treated and settle effectively. Through the electrostatic charge the drops are attracted by the targeted surface and while laying down, they create a sanitizing coating.





How does it work?

Electrostatic hygienization allows to coat a surface quickly and evenly with a sanitizing solution. The electrostatic applicator provides an electrical charge to the solution.

The charged molecules repel each other, so they keep an even distance from each other but, at the same time, they are attracted to the surface to be treated.

The attraction therefore ensures that all the particles of the solution settle on the surface, thus creating a 360-degree coverage, without leaving out any areas.

ELECTROSTATIC TECHNOLOGY



The strength of the charged particles is greater than that of gravity, so they are immediately attracted by the surface and do not fall to the ground.

For effective disinfection follow the instructions given by the manufacturer of the disinfectant liquid used.

Why do you need E-Spray Electrostatic?



Germs and bacteria are very quick to spread and settle in tight corners and hidden spots.

Disinfecting effectively by hand takes a very long time and requires prohibitive costs.

In addition, there are many areas that are difficult to disinfect properly, such as computer keyboards and telephones in offices, or checkouts in supermarkets or shops.



CONVENTIONAL SPRAY

Liquid distribution is localized



ELECTROSTATIC TECHNOLOGY

The solution is evenly distributed over the entire surface, providing a 360-degree coverage which increases the quality of the sanitization.



Advantages

An electrostatically charged spray can reach the entire targeted area evenly, right down to the most hidden points. The cloud of charged particles completely envelops the surface and sanitizes every part of it.

SUITABLE FOR MANY APPLICATIONS

- Several nozzles are available to create drops of different sizes, according to needs and applications
- The small size allows the operator to sanitize also small rooms such as bathrooms or offices

SANITIZATION QUALITY

- The sprayed solution adheres quickly to all surfaces, even curved ones, does not create agglomerated droplets and reaches even hard-to-access areas.
- The solution is micronized into small particles, which dry quickly and do not wet the surfaces and do not create drips
- Improves the customer experience, reassured by a hygienically treated environment

SANITIZATION TIME

- Quick distribution of the solution guarantee time saving
- Micronization saves sanitizing solution, up to 65%, so that hygienization can be performed for longer time

OPERATING AUTONOMY

- Thanks to lithium batteries, it can sanitize up to 8 hours* continuously
- The spare battery doubles operation time

COMFORTABLE

- Lightweight and comfortable to use does not tire the operator who can keep working for several hours

SAFETY

- E-Spray Electrostatic allows you to perform the sanitization activities required by current regulations on safety in the workplace.
- Reduces the risk of cross-contamination between surfaces

IT INCREASES PRODUCTIVITY

- It has a positive impact on absenteeism in the workplace and on the overall healthiness of the facility.

*With battery 18V / 4Ah (optional)

Attachments for backpack/crossbody strap

Built-in nozzle holder

Electrostatic charge ON/OFF

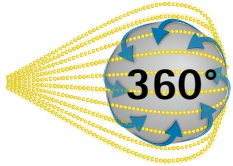
Nozzle size:
0,3 mm
0,4 mm
0,5 mm

Ergonomic handle

Tank 1 litre

18V
Lithium
battery

Antibacterial plastic



With electrostatic
hygienization technology

STANDARD EQUIPMENT



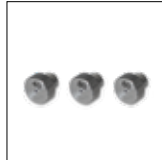
Lithium battery
(18V / 2Ah)



Battery charger
(18V / 2A)



Universal plug
adapter
(EU - UK - US/JP -
CN/AU)



3 nozzles
0,3, 0,4, 0,5 mm



Tank with cap (1 l)
and maintenance
instruction label



Crossbody strap



Antibacterial plastic

STANDARD EQUIPMENT



Shockproof kit box



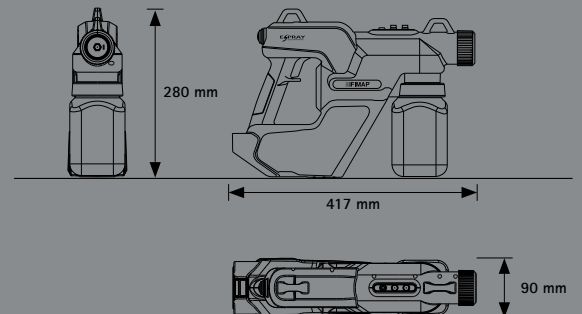
Lithium battery
(18V / 4Ah) to
increase
working autonomy



Long Range backpack
with additional 2-litre
tank

ACCESSORIES ON REQUEST

DIMENSIONS



Attachments for backpack/crossbody strap

ESPRAY



Without electrostatic
hygienization technology

STANDARD EQUIPMENT



Lithium battery
(18V / 2Ah)



Battery charger
(18V / 0,4A)



Universal plug adapter
(EU - UK - US/JP - CN/
AU)



Nozzle size 0,3 mm



Tank with cap (1 l) and
maintenance instruction
label



Printed cardboard packaging

ACCESSORIES ON REQUEST



Lithium battery
(18V / 4Ah) to
increase
working autonomy



Crossbody strap



Long Range backpack
with additional 2-litre
tank

TECHNICAL DATA		E-SPRAY / E-SPRAY ELECTROSTATIC
Productivity theoretical	up to sqm/h	350
Solution tank	l	1
Nozzle size	mm	0,3 / 0,3 - 0,4 - 0,5
Tank autonomy	min	22 / 22 - 12 - 8
Solution pump	W	15
Power supply	V	18 V Li-ion Battery 2000 mAh (Standard) 18 V Li-ion Battery 4000 mAh (Optional)
Battery charger	V	18 V 400 mA (Standard) / 18 V 2000 mA (Standard)
Battery run time	up to h	8
Dimensions (L x h x w)	mm	417
		280
		90
Spray gun weight empty without battery	kg	1,3
Spray gun weight with battery	kg	1,7
Spray gun weight ready to use	kg	2,7

RECOMMENDED APPLICATIONS

CHOOSE ELECTROSTATIC E-SPRAY

- If you need to sanitize areas with a lot of hard-to-reach places, crevices and mostly uneven surfaces, because the electrostatic force will take the disinfectant exactly where it needs to be;
- If you need to customize operations with different nozzle sizes;
- If operations are demanding, because the standard accessories help you carry them out efficiently and professionally;
- If there are many intense operations, which require quick battery charging.

CHOOSE E-SPRAY

- If you're looking for an easy-to-use yet professional product for making small areas with mostly level surfaces safer;
- If use is regular but not intensive;
- If you don't need to customize the operations.

OFFICE <ul style="list-style-type: none"> • Meeting rooms • Restrooms • Workstations (desks, chairs) • Furniture • Refreshment areas (coffee machines, vending machines, coffee tables) • Access/exits: handles, grab bars, handrails, elevators • Counters and furniture in public spaces 	TRANSPORT <ul style="list-style-type: none"> • Passenger seats • Handles, doors, bars, buttons • Restrooms • Luggage drop-off areas • Overhead lockers and storage areas • Validating machines • Meeting rooms • Classroom/ auditorium seats 	HO.RE.CA <ul style="list-style-type: none"> • Rooms • Restrooms • Waiting rooms • Counters • Seats • Furniture
FACTORIES <ul style="list-style-type: none"> • Workbenches • Locker rooms • Restrooms • Counters and welcome areas for suppliers/customers 	CONSTRUCTION SECTOR <ul style="list-style-type: none"> • Work vehicle cabins • Company cars • Locker rooms • Restrooms • Refreshment areas 	EDUCATION <ul style="list-style-type: none"> • Desks and furniture • Toys and equipment • Doors and handles • Restrooms • Waiting rooms • Counters • Locker rooms • Classrooms • Offices and workstations • Relax zones • Meeting rooms • Classroom/ auditorium seats
RETAIL (NON-FOOD) <ul style="list-style-type: none"> • Customer areas (dressing rooms, treatment rooms, waiting rooms) • Goods and shelves • Workstations (cash registers, counters, furniture) • Restrooms 	WELLNESS <ul style="list-style-type: none"> • Equipment • Locker rooms • Waiting rooms • Relax zones • Treatment rooms 	

CERTIFICATIONS



For any additional information or for a demo please contact your usual Fimap dealer



FIMAP spa – Via Invalidi del Lavoro, 1 – 37059 S. Maria di Zevio – Verona – Italy
Tel. +39 045 6060411 – Fax +39 045 6060417 – E-mail: fimap@fimap.com

